

LAB ASSISTANT



DATA SHEET

LA-100 DC

The LA-100 DC is an economical, small footprint 100 mm (4") probe system for R & D centers and Universities with the stability and flexibility you need for your work. It is configured as a complete system and is installed by the customer and operational within an hour out of the crate.

The SemiProbe Lab Assistant family of probe systems is specifically designed to address the requirements of research personnel - simplicity and ease of operation, portability, affordability and modularity. The Lab Assistant provides features and options that are typically only available in much more expensive systems – multiple stages, chucks, optics and manipulators. Numerous accessories can be added at a later date to enhance the system functionality.



FEATURES AND BENEFITS

- Small footprint – fits on a desk, small bench or in a glove box
- Sold as a completely configured system
- Interchangeable components - can be used as a single or multiple application system
- Modular – numerous accessories can be added for additional capability
- DC, HF/Microwave & Kelvin versions available

CONFIGURATION INCLUDES:

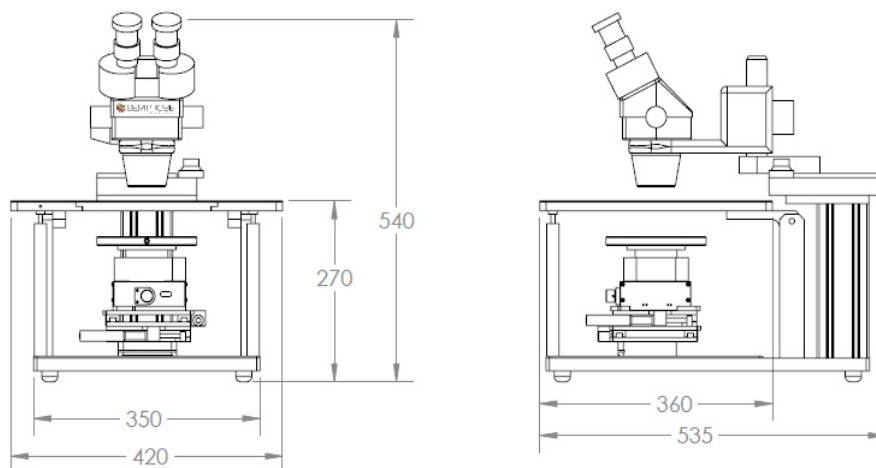
- Rigid aluminum base with rubber vibration isolation feet
- Rapid magnetic course stage adjustment with coaxial and linear fine adjustment
- Chuck Z lift adjustment with contact/separation
- 360 degree theta
- 100 mm (4") chuck with isolation adapter and vacuum control system
- 4.5" probe card holder
- Precision micrometer platen planarity adjustment
- Aluminum with stainless steel plated platen with removable front wedge
- Two (2) DC MA-8005 manipulators with magnetic base and coaxial probe arms (standard)
- Microscope post with coaxial and linear microscope movement
- 7x to 90x trinocular stereo zoom microscope with 10x adjustable eyepieces and 100 mm working distance
- CCTV system ready

SPECIFICATIONS

Dimensions	420 mm X 540 mm X 535 mm (16.5" X 21.3" X 21.1") (W,H,L) – with Optics
Weight	32 kg (70 lbs.)
Base	Solid Aluminum rigid base on rubber vibration isolation feet
Chuck Stage X-Y Movement	Adjustable magnetic slide for coarse adjustment (> 150 mm) Fine adjustment – ± 12.5 mm (X, Y) Entire stage easily removed via magnetic base
Chuck stage Z movement	Z travel: 20 mm (0.78") with contact/separation
Theta Movement	Travel: 360 degrees (coarse) and ± 5 degrees (fine)
Chucks	Vacuum or mechanical clamping, round or square, ambient, thermal and custom Handle die, waffle packs, sawn wafers on frame, broken wafers and wafers up to 100 mm Nickel plated steel with concentric vacuum rings (standard), other materials available
Platen	Aluminum with stainless steel top and removable front wedge for easy wafer handling Manipulator fixation – magnetic, vacuum Integrated probe card holder
Platen Movement	Micrometer platen adjustment
Microscope Mounting	Rigid aluminum post (standard), boom or bridge available
Microscope Movement	Manual coaxial and linear fine microscope movement - 50 mm (Y) and 75 mm(X)
Optics	Trinocular stereo zoom microscope (standard), Compound microscope (optional)
Utilities	Power: AC 110/220V AC 50-60 Hz 20A Vacuum: 23 Hg or -0.8 bar
Options & Accessories	CCTV System (shown in picture page 1) Manipulators – DC/HF/Optical Probe Tips Vibration Isolation Table Dark Box

Note: Data and specifications vary depending on probe system configurations and accessories

PHYSICAL DIMENSIONS



Copyright 2014 SemiProbe, Inc. All rights reserved. Probe System for Life and SemiProbe are registered trademarks. Lab Assistant, IRIS Wafer Inspection and Pilot control software are trademarks of SemiProbe, Inc. All other trademarks are the property of their own respective owners.

276 E. Allen Street, Winooski, VT 05404
P: 802-860-7000
F: 802-419-3149
info@semiprobe.com
www.semiprobe.com

 **SEMIPROBE**[®]
Test • Inspect • Innovate

REV 562014