

# LAB ASSISTANT



## DATA SHEET

### LA-150 DC

The LA-150 DC is an economical, small footprint 150 mm (6") probe system for R & D centers and Universities with the stability and flexibility you need for your work. It is configured as a complete system and is installed by the customer and operational within an hour out of the crate.

The SemiProbe Lab Assistant family of probe systems is specifically designed to address the requirements of research personnel - simplicity and ease of operation, portability, affordability and modularity. The Lab Assistant provides features and options that are typically only available in much more expensive systems - multiple stages, chucks, optics and manipulators. Numerous accessories can be added at a later date to enhance the system functionality.



## FEATURES AND BENEFITS

- Small footprint - fits on a desk, small bench or in a glove box
- Sold as a completely configured system
- Interchangeable stages - can be used as a single or multiple application system
- Modular - numerous accessories can be added for additional capability
- DC and HF/Microwave versions available

## CONFIGURATION INCLUDES:

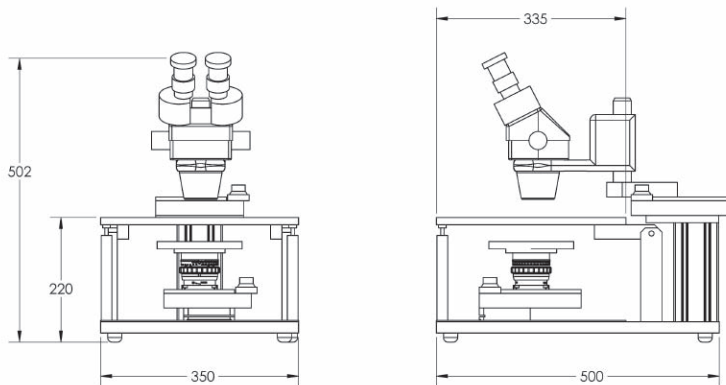
- Rigid aluminum base with rubber vibration isolation feet
- Rapid magnetic course stage adjustment with coaxial and linear fine adjustment
- Chuck Z lift adjustment with contact/separate lever
- 360 degree theta
- 150 mm (6") chuck with isolation adapter and vacuum control system
- 4.5" probe card holder
- Precision micrometer platen planarity adjustment
- Aluminum with stainless steel plated platen with removable front wedge
- Two (2) DC MA-8005 manipulators with magnetic base and coaxial probe arms
- Microscope post with coaxial and linear microscope movement
- 7x to 90x trinocular stereo zoom microscope with wide field 10x adjustable eyepieces and 100 mm (4") working distance
- CCTV system ready

## SPECIFICATIONS

<b>Dimensions</b>	350 mm X 502 mm X 500 mm (13.8" X 19.7" X 19.7") (W,H,L) - with Optics
<b>Weight</b>	28 kg (60 lbs.)
<b>Base</b>	Solid Aluminum rigid base on rubber vibration isolation feet
<b>Chuck Stage X-Y Movement</b>	Adjustable magnetic slide for coarse adjustment (> 150 mm) Coaxial fine adjustment - 50 mm (Y) x 75 mm (X) Entire stage easily removed
<b>Chuck stage Z movement</b>	Z travel: 25 mm (1") with contact/separate lever (> 400 µm)
<b>Theta Movement</b>	Travel: 360 degrees
<b>Chucks</b>	Vacuum or mechanical clamping, round or square, ambient, thermal and custom Handle die, wafer packs, sawn wafers on frame, broken wafers and full wafers up to 150 mm Nickel plated steel with concentric vacuum rings (standard), other plating materials available
<b>Platen</b>	Aluminum with stainless steel top and removable front wedge for easy wafer loading/unloading Manipulator fixation - magnetic, vacuum Integrated probe card holder
<b>Platen Movement</b>	Micrometer platen adjustment
<b>Microscope Mounting/Movement</b>	Mounting - rigid aluminum post Movement - manual coaxial and linear fine microscope movement - 50 mm (Y) and 75 mm(X)
<b>Optics</b>	Trinocular stereo zoom microscope (standard), Compound microscope (optional)
<b>Utilities</b>	Power: AC 110/220V AC 50-60 Hz 20A Vacuum: 23 Hg or -0.8 bar
<b>Options &amp; Accessories</b>	CCTV System Manipulators - DC/HF/Optical Probe Tips Vibration Isolation Table Dark Box

**Note:** Data and specifications vary depending on probe system configurations and accessories

## PHYSICAL DIMENSIONS



Copyright 2011 SemiProbe, Inc. All rights reserved. Probe System for Life and SemiProbe are registered trademarks. Lab Assistant, IRIS Wafer Inspection and Pilot control software are trademarks of SemiProbe, Inc. All other trademarks are the property of their own respective owners.

276 E. Allen Street, Winooski, VT 05404  
P: 802-860-7000  
F: 802-419-3149  
info@semiprobe.com  
www.semiprobe.com

 **SEMIPROBE**<sup>®</sup>  
Test • Inspect • Innovate

A-LIT- LA-150 DC